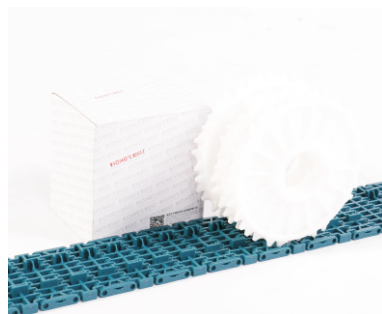
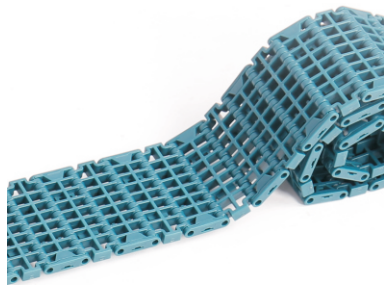
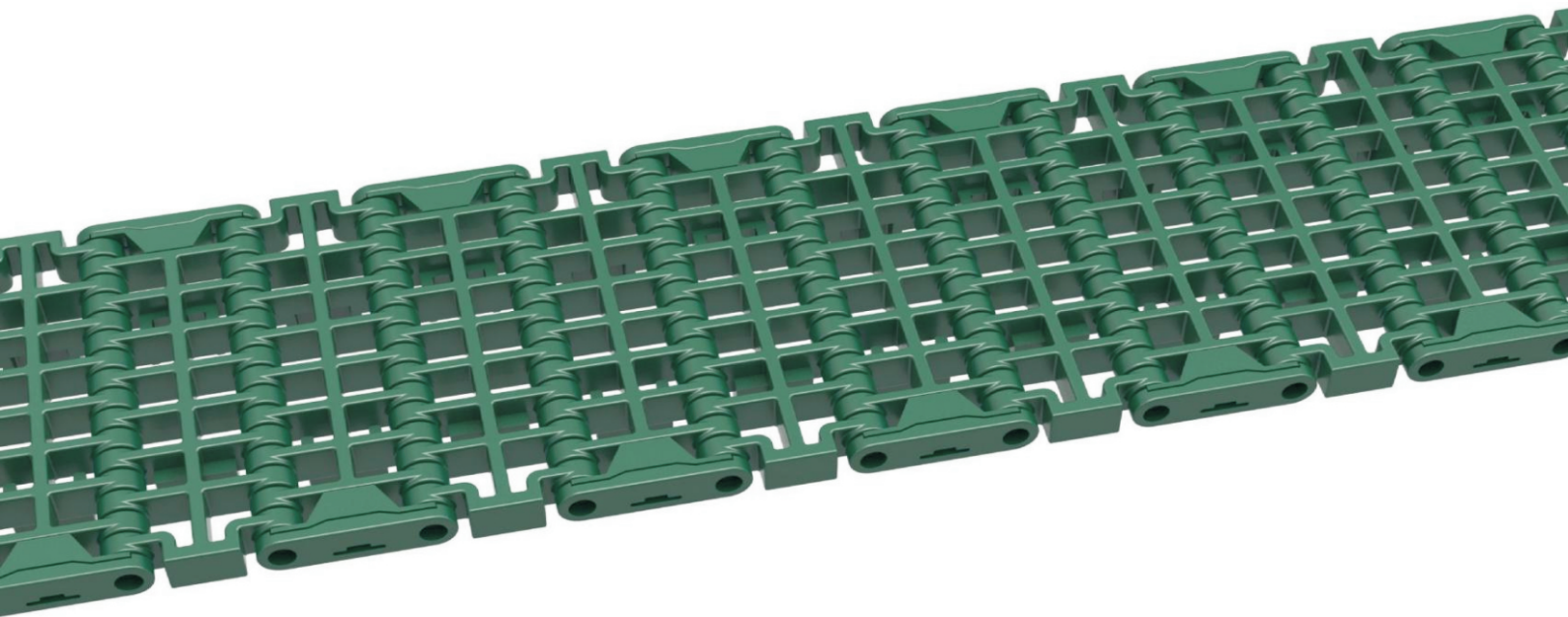


HS-F1000-84B-GB Technical Data Sheet



Pitch: 25.4mm Minimum Width: 84mm Open Area: 42% Approved: FDA Rod: Ø 4.5mm Flight: No Side Guard: No Curve: No	
--------------------------------------------------------------------------------------------------------------------------------------	--

Data

Belt Material	Belt Strength		Curve	Temperature		Belt Weight (K g / M)
	Straight			°C (min.)	°C (max.)	
	Kg/M(BW)	N/M(BW)				
Acetal	2200	22000	--	-40	80	0.53

BW – Belt Width

Color Table

Polypropylene					Polyethylene					Acetal					Nylon				
W	G	N	DB	B	W	G	N	DB	B	W	G	N	DB	B	W	G	N	DB	B
●	●																		

W-White, G-Gray, N-Nature, DB-Dark brown, B-Blue

Friction Table

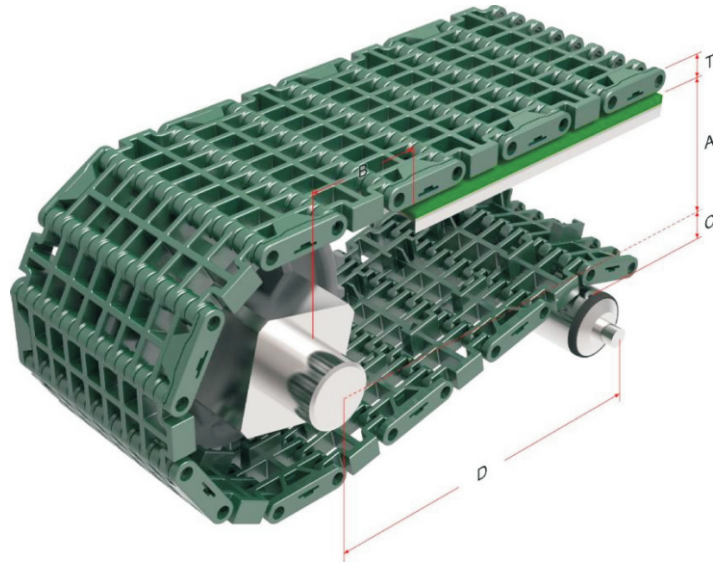
Belt Material	Friction Wear strips & Products							
	UHMW	HDPE	Steel	Glass	SUS	Plastic	Cardboard	Aluminum
Polypropylene	0.32	0.24	0.15	0.09	0.13	0.08	0.15	0.25
Polyethylene	0.13	0.11	0.26	0.19	0.31	0.16	0.21	0.41
Acetal	0.11	0.09	0.27	0.16	0.26	0.15	0.19	0.28
Nylon	0.18	0.13	0.25	0.16	0.26	0.16	0.19	0.27

SUS – Stainless Steel

Equivalent type with other Brand

Brand Name	Intralox	UNI	Rexnord	MCC	Habasit	KVP
Series & Type	400					

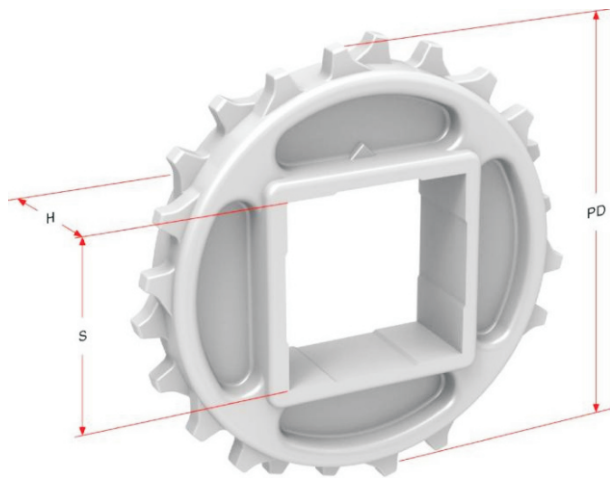
The above content is only for reference.



Conveyor Frame Dimensions

Unit : mm

No. Teeth	A (Min.)	B (Min.)	C (Max.)	D (Min.)	T
12	49	40	53	200	8.6



Sprocket Dimensions

Unit: mm

No. Teeth	PD	S	D	H	K
12-2R	98	38.5/40.5	--	20	--
18-2R	146	60.8	30.5/40.5/50.5	20	8*8
20-2R	162	40.5/60.5	50.5	20	14*9