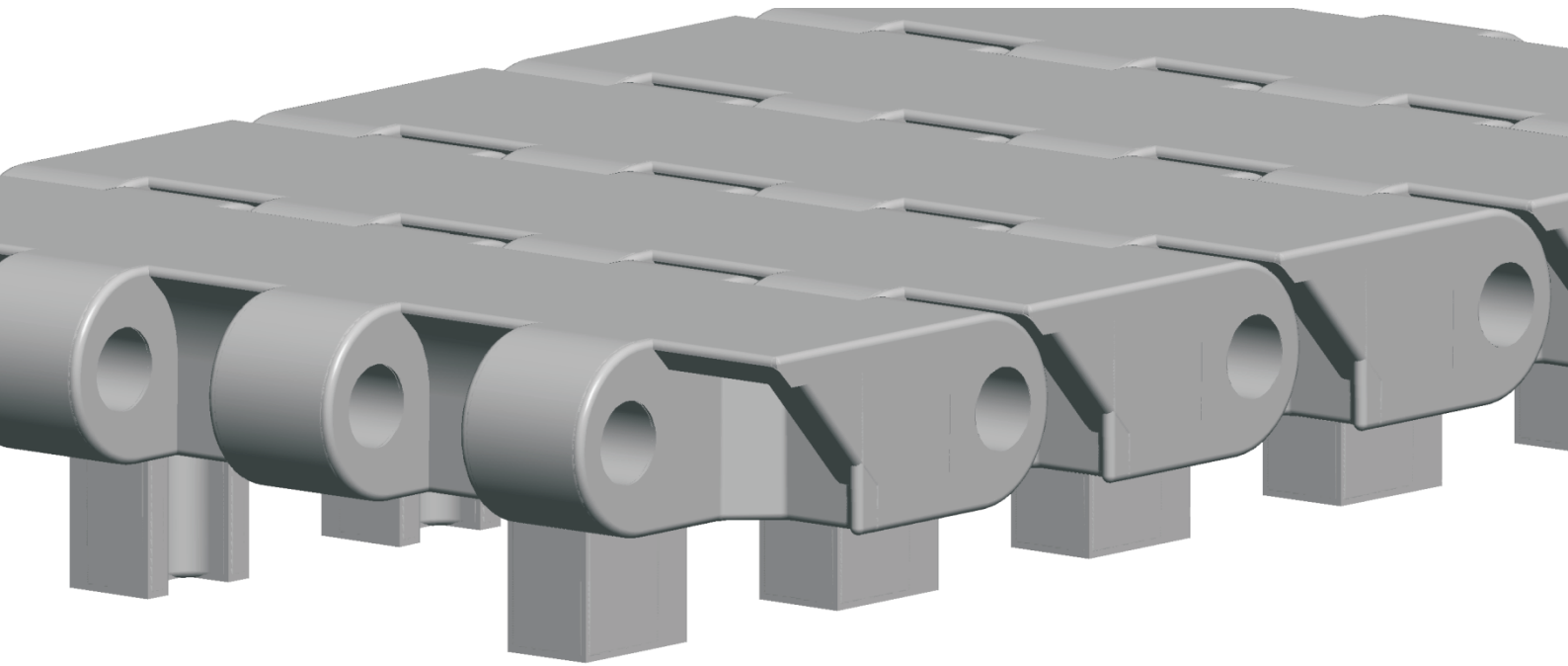


HS-502A-83GB Technical Data Sheet



Pitch: 25mm Minimum Width: 83mm Open Area: 0% Approved: FDA Rod: Ø 4.9mm Flight: No Side Guard: No Curve: No	
---	--

Data

Belt Material	Belt Strength			Temperature		Belt Weight (Kg/M ²)
	Straight		Curve	°C (min.)	°C (max.)	
	Kg/M(BW)	N/M(BW)				
Polypropylene	1060	10600	--	1	100	6.9
Acetal	1720	17200	--	- 40	80	10.6

BW – Belt Width

Color Table

Polypropylene					Polyethylene					Acetal					Nylon				
W	G	N	DB	B	W	G	N	DB	B	W	G	N	DB	B	W	G	N	DB	B
●	●						●			●				●				●	

W-White, G-Gray, N-Nature, DB-Dark brown, B-Blue

Friction Table

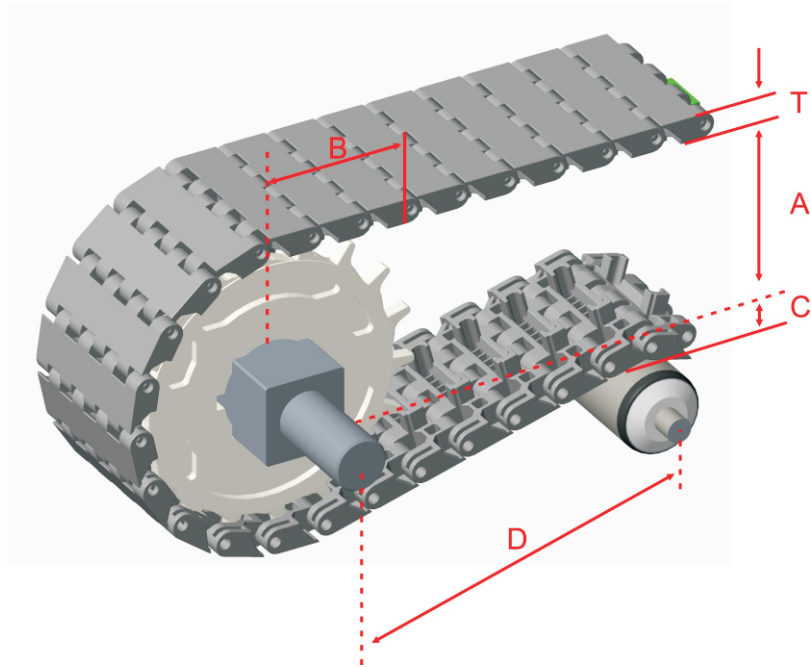
Belt Material	Friction Wear strips & Products							
	UHMW	HDPE	Steel	Glass	SUS	Plastic	Cardboard	Aluminum
Polypropylene	0.32	0.24	0.15	0.09	0.13	0.08	0.15	0.25
Polyethylene	0.13	0.11	0.26	0.19	0.31	0.16	0.21	0.41
Acetal	0.11	0.09	0.27	0.16	0.26	0.15	0.19	0.28
Nylon	0.18	0.13	0.25	0.16	0.26	0.16	0.19	0.27

SUS – Stainless Steel

Equivalent type with other Brand

Brand Name	Intralox	UNI	Rexnord	MCC	Habasit	KVP
Series & Type	1400	SNB	1005	1000	M2400	610
	1600/1650	CNB	1010		M2500	208
	200	OPB	7700		M2600	
	800/850	L-SNB	6390			

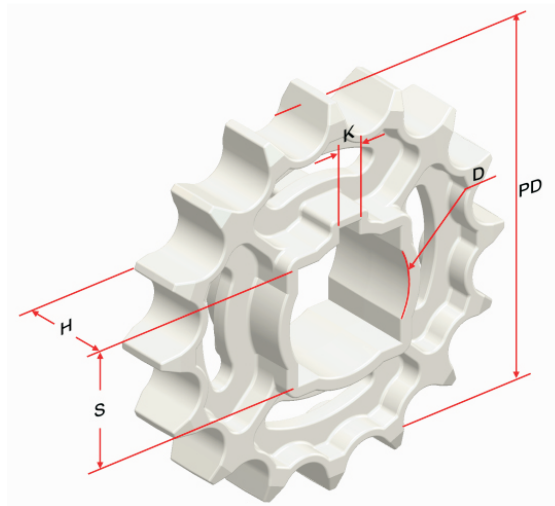
The above content is only for reference.



Conveyor Frame Dimensions

Unit: mm

No. Teeth	A (Min.)	B (Min.)	C (Max.)	D (Min.)	T
12	43.75	60	41.5	250	12.5
18	67.75	84	65.5	250	
24	93.75	110	91.5	300	



Sprocket Dimensions

Unit: mm

No. Teeth	PD	S	D	H1	K
12	100	25.4/38.5/39/40..5	25.4/30.5/35.5/ 46.5/47.5	18	--
18	148	38.5/40..5	25.4/30.5/31.75/36.5/40.5/45.5/47.5	18	--
24	200	38.5/40.5/50.5/60.5	--	30	--