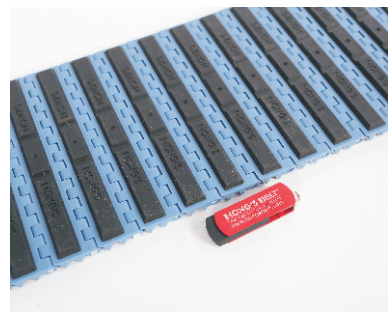
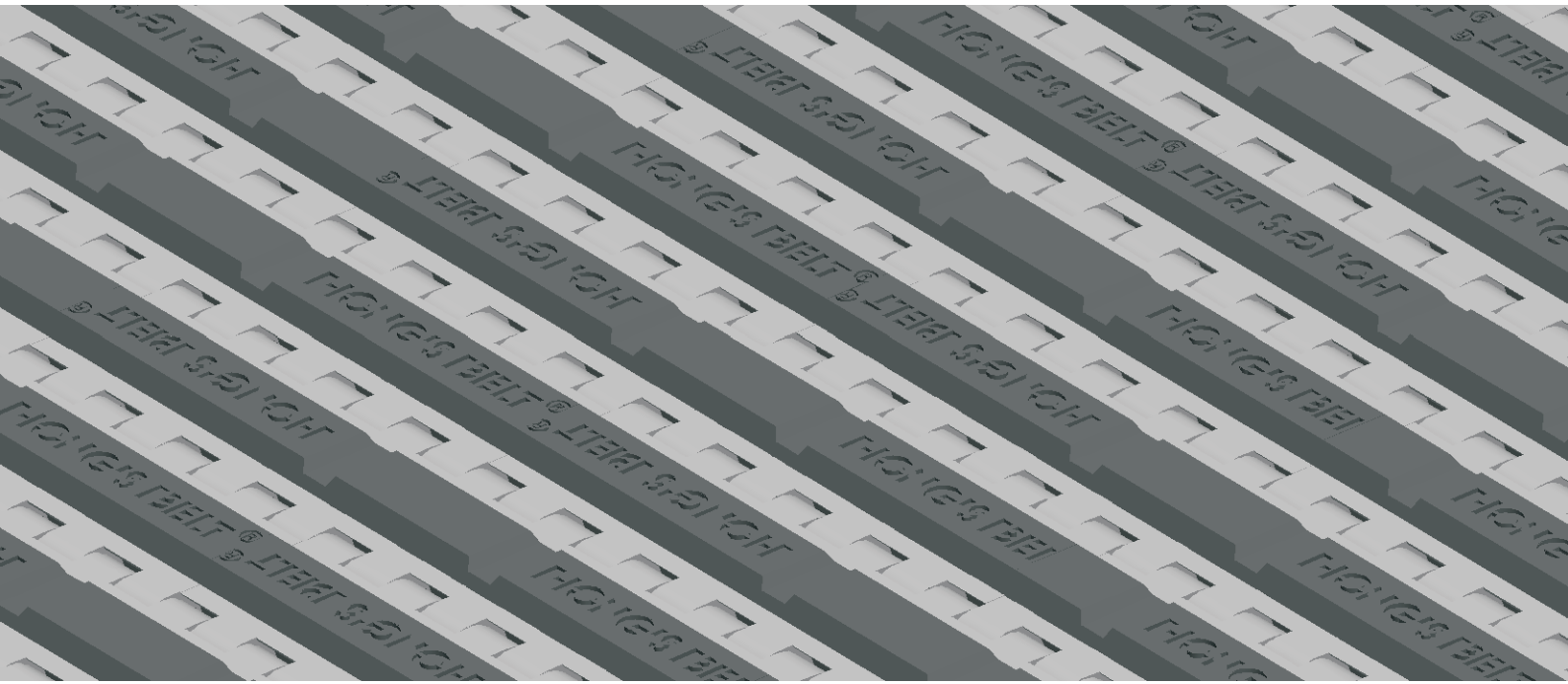
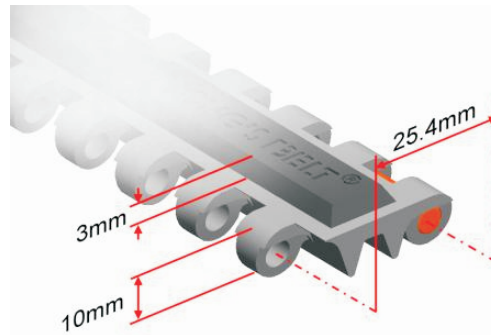


HS-200EL Technical Data Sheet



Pitch: 25.4mm
 Minimum Width: 150mm
 Open Area: 0%
 Approved: FDA
 Rod: Ø 4.9mm
 Flight: Yes
 Side Guard: Yes
 Curve: No



Data

Belt Material	Belt Strength			Temperature		Belt Weight (Kg/M ²)
	Straight		Curve	°C (min.)	°C (max.)	
	Kg/M(BW)	N/M(BW)				
Polypropylene	1155	11550	--	1	100	6.0

BW – Belt Width

Color Table

Polypropylene					Polyethylene					Acetal					Nylon				
W	G	N	DB	B	W	G	N	DB	B	W	G	N	DB	B	W	G	N	DB	B
●	●																		

W-White, G-Gray, N-Nature, DB-Dark brown, B-Blue

Friction Tables

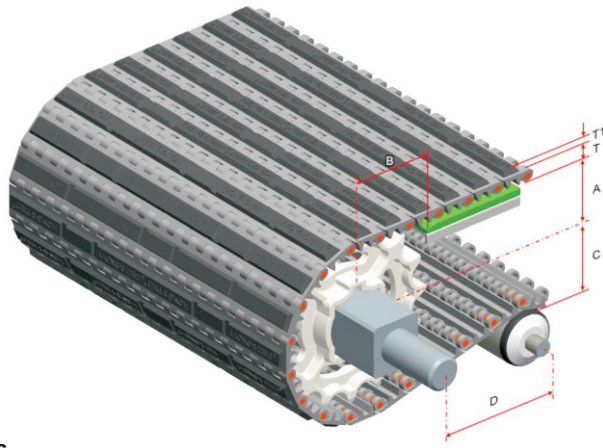
Belt Material	Friction Wearstrips & Products							
	UHMW	HDPE	Steel	Glass	SUS	Plastic	Cardboard	Aluminum
Polypropylene	0.32	0.24	0.15	0.09	0.13	0.08	0.15	0.25
Polyethylene	0.13	0.11	0.26	0.19	0.31	0.16	0.21	0.41
Acetal	0.11	0.09	0.27	0.16	0.26	0.15	0.19	0.28
Nylon	0.18	0.13	0.25	0.16	0.26	0.16	0.19	0.27

SUS - Stainless Steel

Equivalent type with other Brand

Brand Name	Intralox	UNI	Rexnord	MCC	Habasit	KVP
Series & Type	1600	SNB	1000		M2400	610
	1650	CNB	1010		M2500	208CL
	200	OPB	7700		M2600	20835
	880/850	L-SNB	6390			

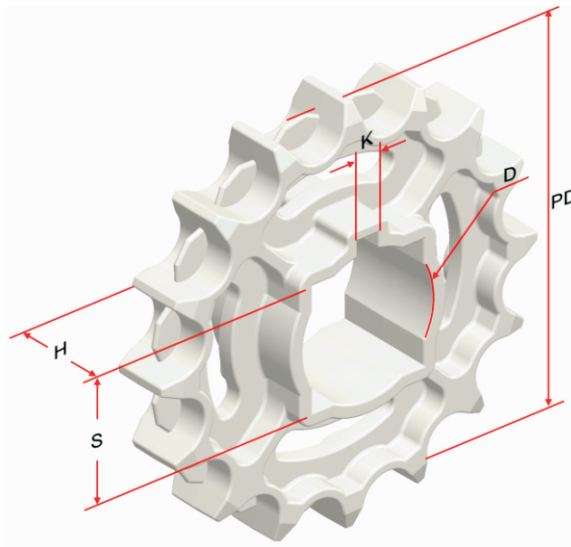
The above content is only for reference.



Conveyor Frame Dimensions

Unit : mm

No. Teeth	A (Min.)	B (Min.)	C (Max.)	D (Min.)	T	T1
7	23.5	38.5	22.5	200	10	3
8	28.4	43.4	27.4	200		
10	36.3	51.3	35.3	200		
12	44.3	59.3	43.3	200		
16	61	76	60	200		
20	77.5	92.5	76.5	200		



Sprocket Dimensions

Unit: mm

No. Teeth	PD	S	D	H	K
7	57	25.2	--	22	--
8	66.8	--	25.4/30.5	22	6X6
10	82.6	38.5/40.5	20.5/25.5/30.5/45.5	22	6X6
12	98.7	35.5/38.5/40.5	25.5/30.5/40.5/45.5	38	8X8
16	132	35.5/38.5/40.5	25.5/30	34	8X8
20	165	40.5	47.5	38	7X7