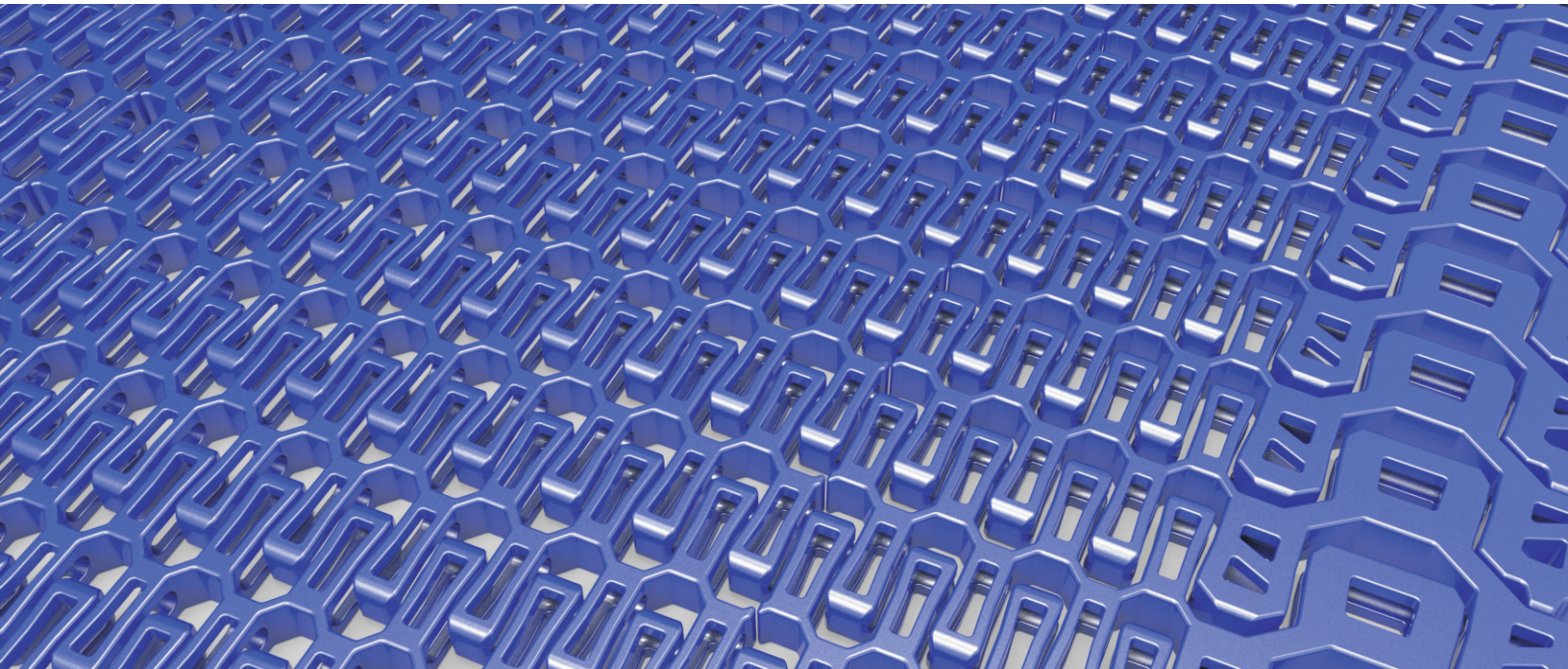
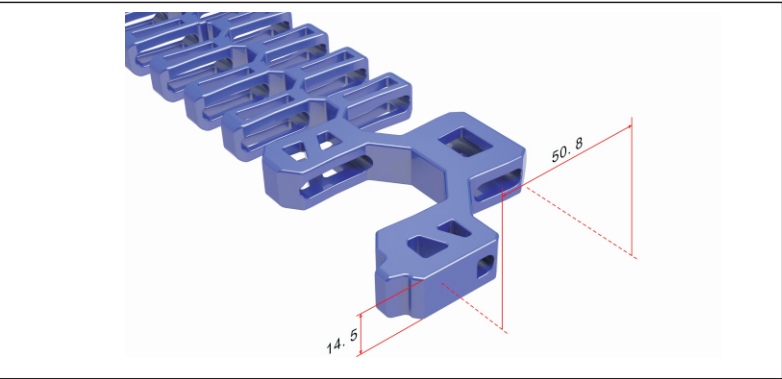


HS-1400B Technical Data Sheet



Pitch : 50.8mm
 Minimum Width : 253mm
 Open Area : 63%
 Approved : FDA
 Rod : Ø 5.8mm stainless steel
 Flight : No
 Side Guard : No
 Curve : Yes



Data

Belt Material	Belt Strength				Temperature		Belt Weight (Kg/M ²)
	Straight		Curve		°C (min.)	°C (max.)	
	Kg/M(BW)	N/M(BW)	Kg/M(BW)	N/M(BW)			
Acetal	3400	34000	340	3400	-40	80	8.7
BW – Belt Width							

Color Table

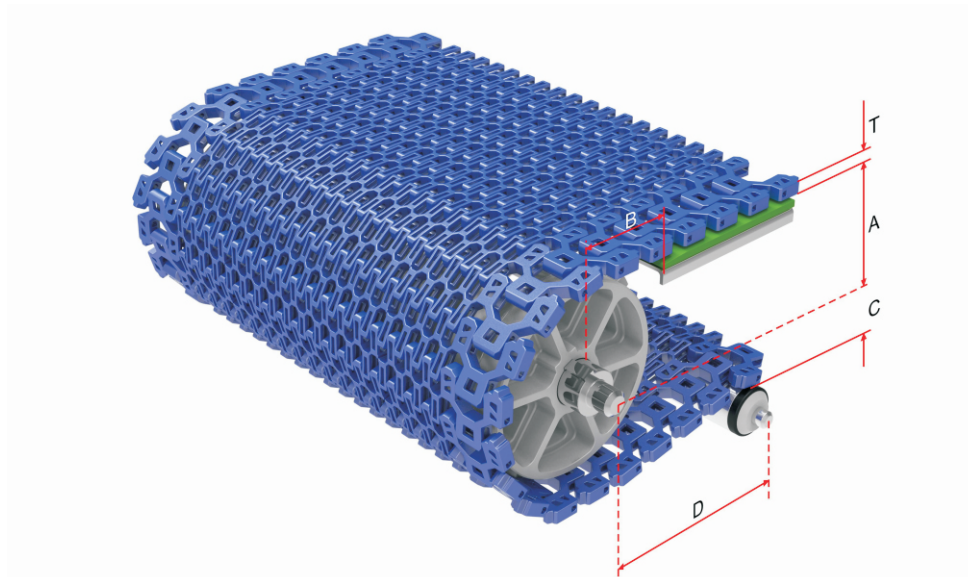
Polypropylene					Polyethylene					Acetal					Nylon				
W	G	N	DB	B	W	G	N	DB	B	W	G	N	DB	B	W	G	N	DB	B
●	●						●			●			●	●					

W-White, G-Gray, N-Nature, DB-Darkbrown, B-Blue

Friction Table

Belt Material	Friction Wear strips & Products							
	UHMW	HDPE	Steel	Glass	SUS	Plastic	Cardboard	Aluminum
Acetal	0.11	0.09	0.27	0.16	0.26	0.15	0.19	0.28

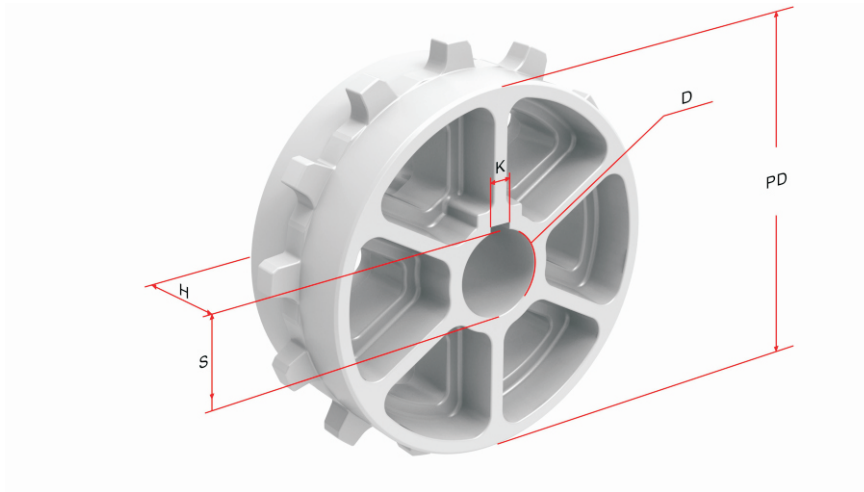
SUS – Stainless Steel



Conveyor Frame Dimensions

Unit : mm

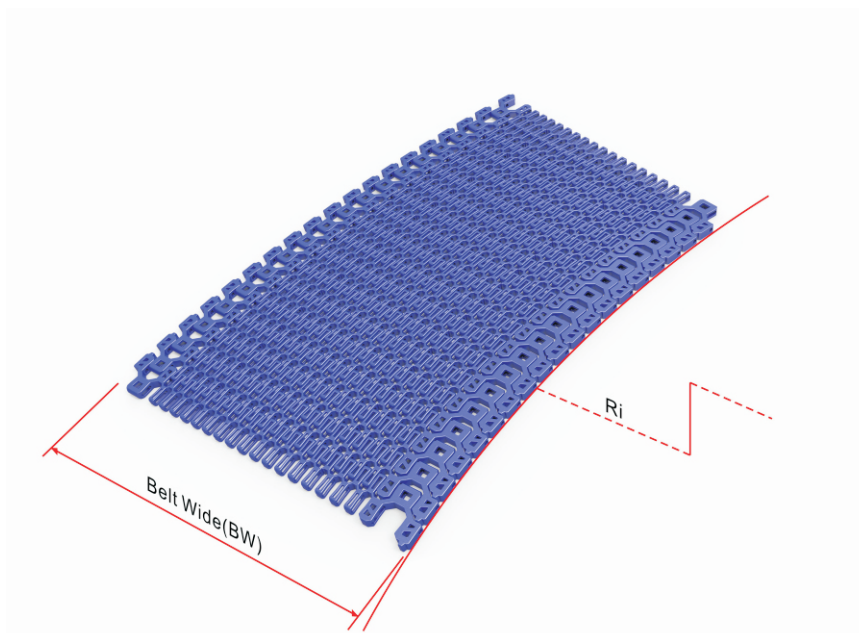
No. Teeth	A (Min.)	B (Min.)	C (Max.)	D (Min.)	T
13	102.25	119.5	99	250	14.5



Sprocket Dimensions

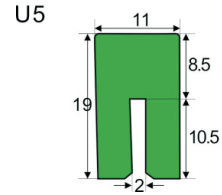
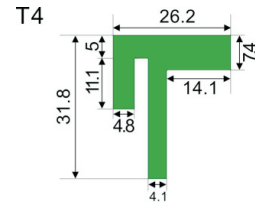
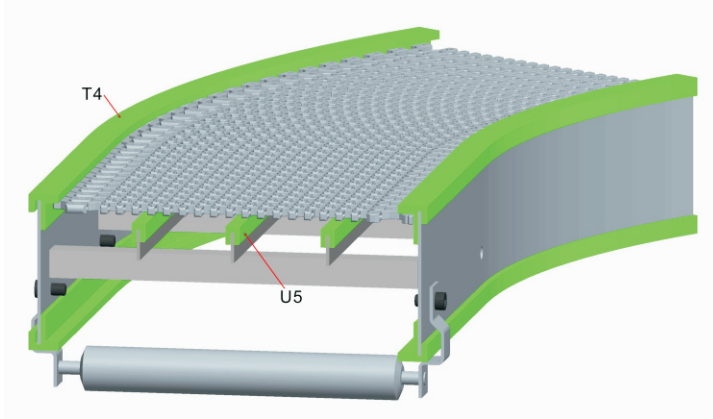
Unit: mm

No. Teeth	PD	S	D	H	K
13	219	38.5/40.5	45	76.2	8*8



- ⌘ The minimum turning radius (inside) is 2 times of belt width under all feasible belt Width, 2.5 times of belt width is the most optimal.
- ⌘ The minimum straight run section near driving shaft and idling shaft of Radius belt must be 2 times of the belt width in length.
- ⌘ The minimum straight run section between two turns of opposing direction must be 2 times of the belt width in Length.

Guide Rail & Wear Strips



⌘ We have different kinds of guide rail and wear strips for your choice; for more information, please consult our sales team.

