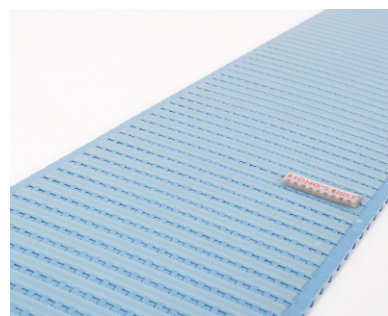
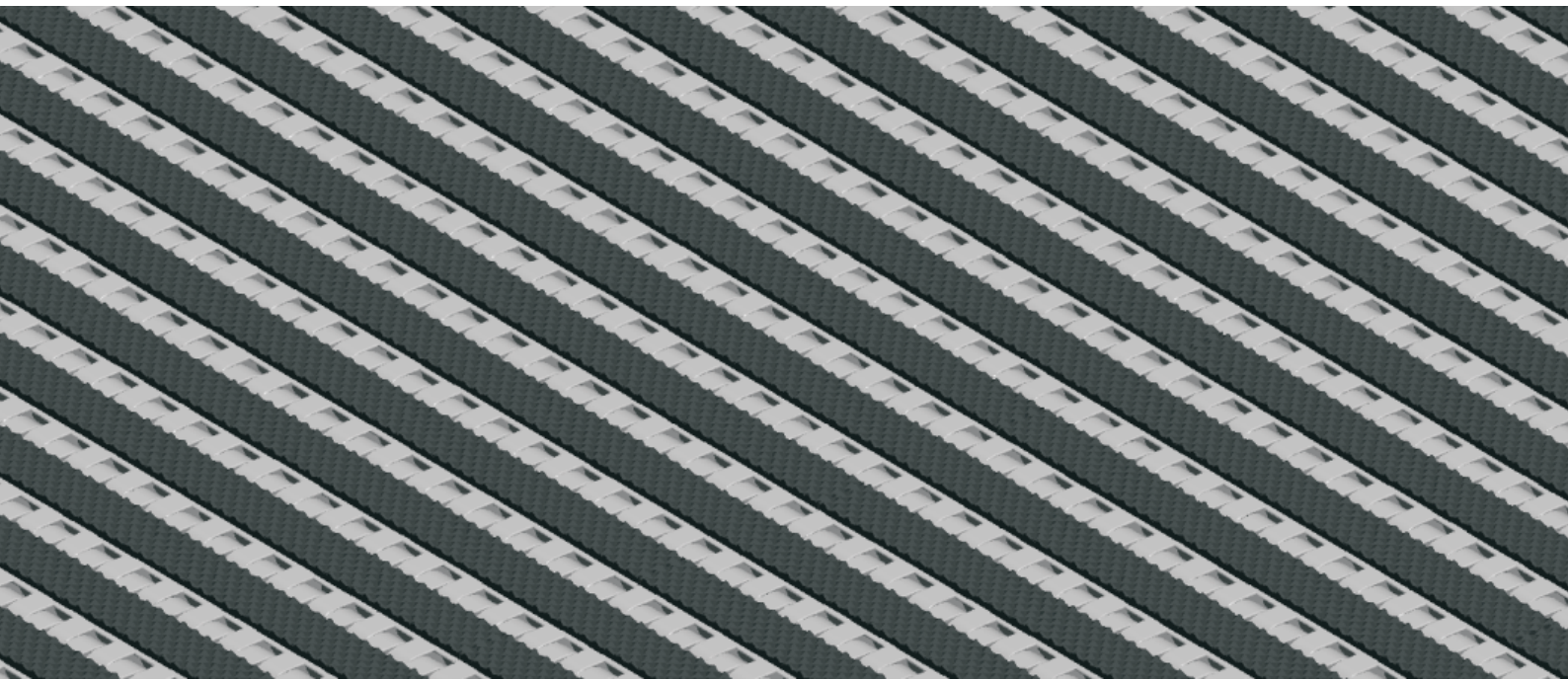


HS-1100EL Technical Data Sheet



Pitch: 15.2mm Minimum Width: 207mm Open Area: 0% Approved: FDA Rod: Ø 4.9mm Flight: No Side Guard: No Curve: No	
--	--

Data

Belt Material	Belt Strength			Temperature		Belt Weight (Kg/M ²)
	Straight		Curve	°C (min.)	°C (max.)	
	Kg/M(BW)	N/M(BW)				
Polypropylene	1545	15450	--	1	70	6.0
BW – Belt Width						

Color Table

Polypropylene					Polyethylene					Acetal					Nylon				
W	G	N	DB	B	W	G	N	DB	B	W	G	N	DB	B	W	G	N	DB	B
●	●																		

W-White, G-Gray, N-Nature, DB-Darkbrown, B-Blue

Friction Table

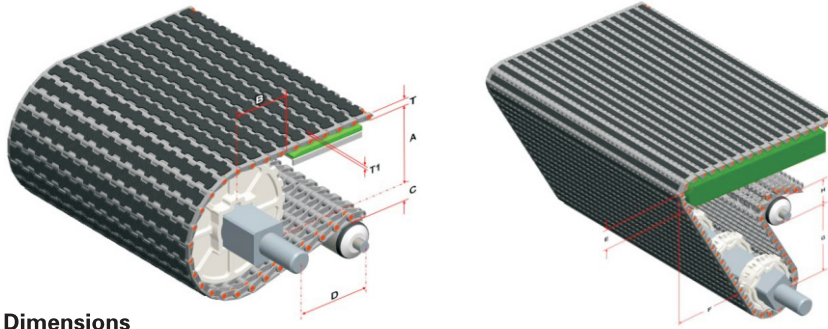
Belt Material	Friction Wear strips & Products							
	UHMW	HDPE	Steel	Glass	SUS	Plastic	Cardboard	Aluminum
Polypropylene	0.32	0.24	0.15	0.09	0.13	0.08	0.15	0.25
Polyethylene	0.13	0.11	0.26	0.19	0.31	0.16	0.21	0.41
Acetal	0.11	0.09	0.27	0.16	0.26	0.15	0.19	0.28
Nylon	0.18	0.13	0.25	0.16	0.26	0.16	0.19	0.27

SUS – Stainless Steel

Equivalent type with other Brand

Brand Name	Intralox	UNI	Rexnord	MCC	Habasit	KVP
Series & Type	1000		1500			
	1100					

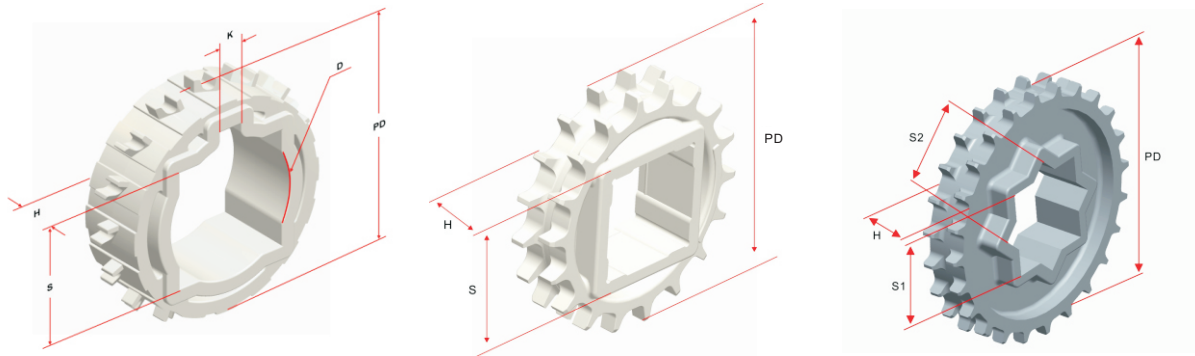
The above content is only for reference.



Conveyor Frame Dimensions

Unit : mm

No. Teeth	A (Min.)	B (Min.)	C (Max.)	D (Min.)	E (Min.)	H (Min.)	T	T1
12	24.4	38.9	23.9	150	Ø 25	Ø 60	9.0	1.5
16	34.5	49	34	150	Ø 25	Ø 60		
18-2R	39.75	54.25	39.25	150	Ø 25	Ø 60		
20-2R	39.4	53.9	38.9	150	Ø 25	Ø 60		
24/24-2R	54.5	69	54	150	Ø 25	Ø 60		
26-2R	59.7	74.2	59.2	200	Ø 25	Ø 60		
32 / 32-2R	74	88.5	73.5	200	Ø 25	Ø 60		



Sprocket Dimensions

Unit: mm

No. Teeth	PD	S	D	H	K
12	57.8	25.5	25.4	22.5	6.35X3.17
16	78	25.4/38.5/40.5	25.5/30.5/31.75/45.5	25	6.35X3.17
24	118	38.5/40.5	25.4/30.5/31.75/35.2/47.5	40	6.35X3.17
32	158	38.5/40.5	25.4/30.5/40.5	40	8X8
18-2R	88.5	38.1	--	25	--
20-2R	87.8	38.5	--	25	--
24-2R	117.7	38.5/40.2	--	24.8	--
26-2R	128.4	38.5/40.5	--	25	--
32-2R	157	38.5/40.2	--	25	--

※The third drawing is only for 24T-2R