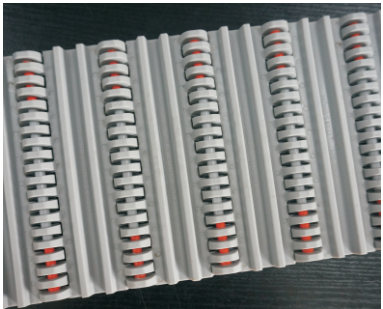
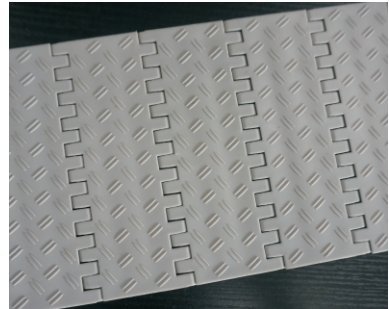
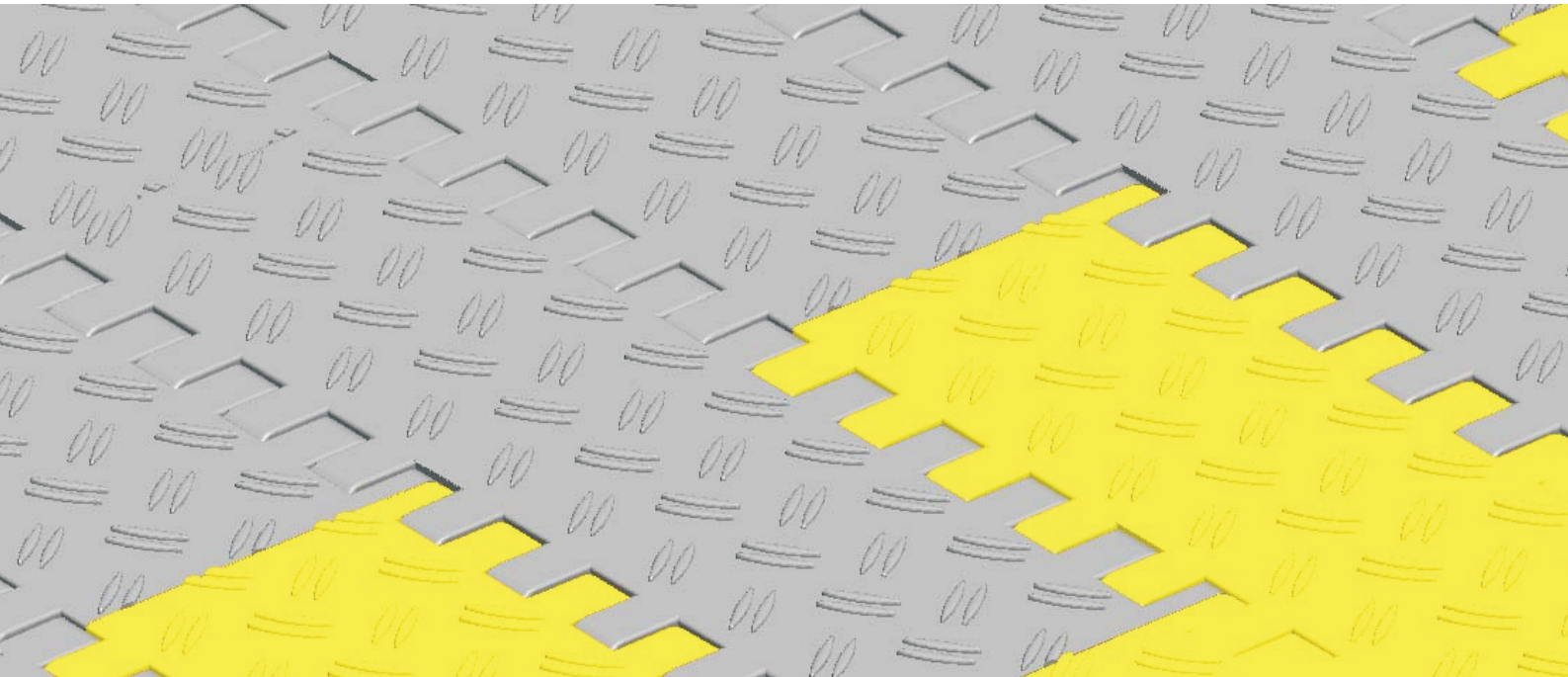


# HS-100D Technical Data Sheet



|  |  |
|--|--|
| Pitch : 50.8mm<br>Minimum Width : 150mm<br>Open Area : 0%<br>Approved : FDA<br>Rod : Ø 5.8mm<br>Flight : Yes<br>Side Guard : Yes<br>Curve : No |  |
|--|--|

## Data

| Belt Material | Belt Strength |         |       | Temperature |           | Belt Weight<br>(Kg/M <sup>2</sup> ) |
|---------------|---------------|---------|-------|-------------|-----------|-------------------------------------|
|               | Straight      |         | Curve | °C (min.)   | °C (max.) |                                     |
|               | Kg/M(BW)      | N/M(BW) |       |             |           |                                     |
| Polypropylene | 1340          | 13400   | --    | 1           | 100       | 8.8                                 |
| Polyethylene  | 1280          | 12800   | --    | -60         | 60        | 9.0                                 |
| Acetal        | 1770          | 17700   | --    | -40         | 80        | 13.3                                |
| Nylon         | 1520          | 15200   | --    | 1           | 180       | 12.7                                |

**BW – Belt Width**

## Color Table

| Polypropylene |   |   |    |   | Polyethylene |   |   |    |   | Acetal |   |   |    |   | Nylon |   |   |    |   |
|---------------|---|---|----|---|--------------|---|---|----|---|--------|---|---|----|---|-------|---|---|----|---|
| W             | G | N | DB | B | W            | G | N | DB | B | W      | G | N | DB | B | W     | G | N | DB | B |
| ●             | ● |   |    |   |              |   | ● |    |   | ●      |   |   |    | ● |       |   |   | ●  |   |

W-White, G-Gray, N-Nature, DB-Darkbrown, B-Blue

## Friction Table

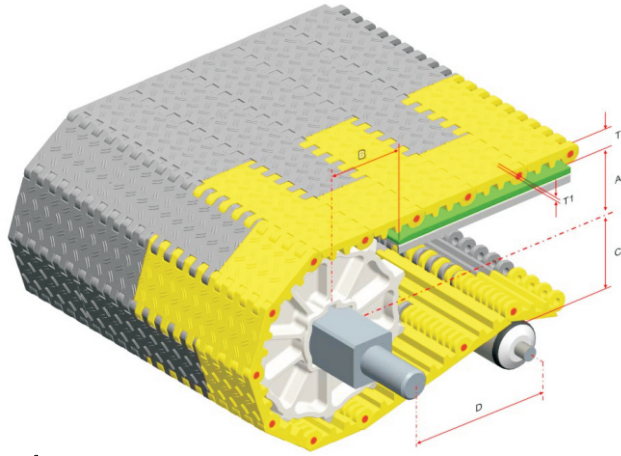
| Belt Material | Friction Wear strips & Products |      |       |       |      |         |           |          |
|---------------|---------------------------------|------|-------|-------|------|---------|-----------|----------|
|               | UHMW                            | HDPE | Steel | Glass | SUS  | Plastic | Cardboard | Aluminum |
| Polypropylene | 0.32                            | 0.24 | 0.15  | 0.09  | 0.13 | 0.08    | 0.15      | 0.25     |
| Polyethylene  | 0.13                            | 0.11 | 0.26  | 0.19  | 0.31 | 0.16    | 0.21      | 0.41     |
| Acetal        | 0.11                            | 0.09 | 0.27  | 0.16  | 0.26 | 0.15    | 0.19      | 0.28     |
| Nylon         | 0.18                            | 0.13 | 0.25  | 0.16  | 0.26 | 0.16    | 0.19      | 0.27     |

SUS – Stainless Steel

## Equivalent type with other Brand

| Brand Name    | Intralox | UNI   | Rexnord | MCC  | Habasit | KVP |
|---------------|----------|-------|---------|------|---------|-----|
| Series & Type | 200      | OPB   | 6390    | 2000 | H5000   | 620 |
|               | 800/850  | L-SNB | 2010    |      | M5100   |     |
|               |          | MPB   | 2000    |      |         |     |

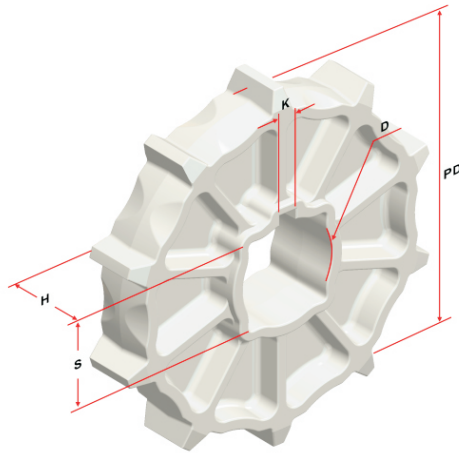
The above content is only for reference.



**Conveyor Frame Dimensions**

Unit : mm

| No. Teeth | A ( Min.) | B ( Min.) | C ( Max.) | D ( Min.) | T  | T1  |
|-----------|-----------|-----------|-----------|-----------|----|-----|
| 6         | 37.9      | 55.9      | 33.9      | 250       | 16 | 1.3 |
| 8         | 56        | 74        | 52        | 250       |    |     |
| 9         | 63.5      | 81.5      | 59.5      | 250       |    |     |
| 10        | 73        | 91        | 69        | 250       |    |     |
| 12        | 88.4      | 106.4     | 84.4      | 300       |    |     |
| 16        | 122       | 140       | 118       | 300       |    |     |



**Sprocket Dimensions**

Unit: mm

| No. Teeth | PD    | S                   | D                        | H  | K   |
|-----------|-------|---------------------|--------------------------|----|-----|
| 6         | 91.8  | 38.5/40.5           | 25.5/30.5/35.5/45.5      | 30 | 8X8 |
| 8         | 128   | 38.5/40.5           | 25.5/30.5/35.5/40.5/44.5 | 37 | 7X7 |
| 9         | 143   | 38.5/40.5           | 32.5/45.5/51             | 35 | 8X8 |
| 10        | 162   | 38.5/40.5/50.5/60.5 | 25.5/30.5/35.5/40.5/45.5 | 35 | 8X8 |
| 12        | 192.8 | 38.5/40.5/60.5      | 45.5/47.5                | 37 | 8X8 |
| 16        | 260   | 38.5/60.5/63.5      | --                       | 46 | --  |